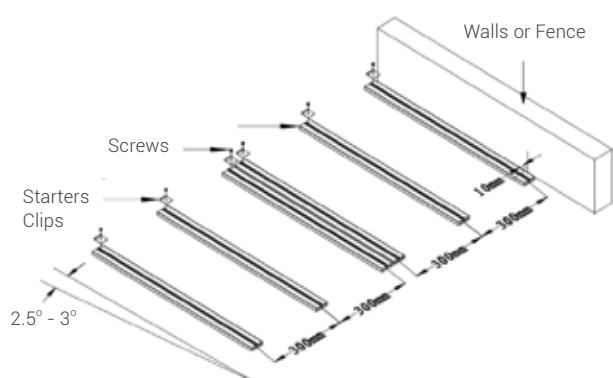




Decking Installation Guide

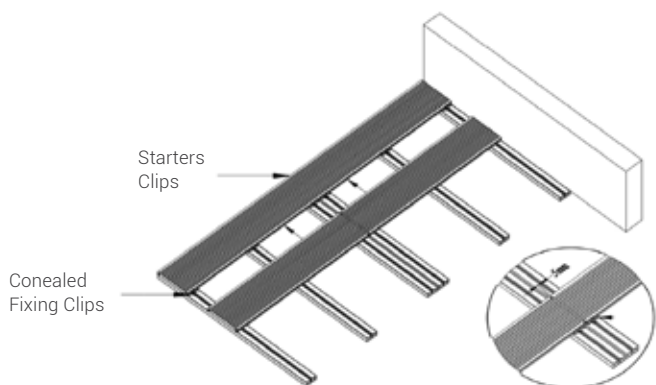
Decking Installation Guide

1. Position your joists at 300mm intervals, running perpendicular to the direction in which you'll be installing the deck boards.
2. Ensure a 10mm clearance between your walls or fence to accommodate expansion.
3. Secure starter clips along the joist edges, fastening them securely with screws

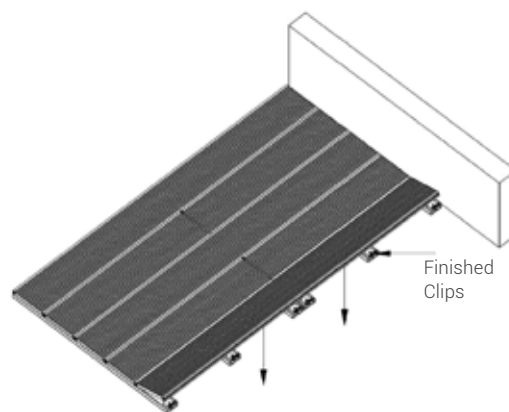


A gentle slope on the ground surface is essential to facilitate proper drainage.

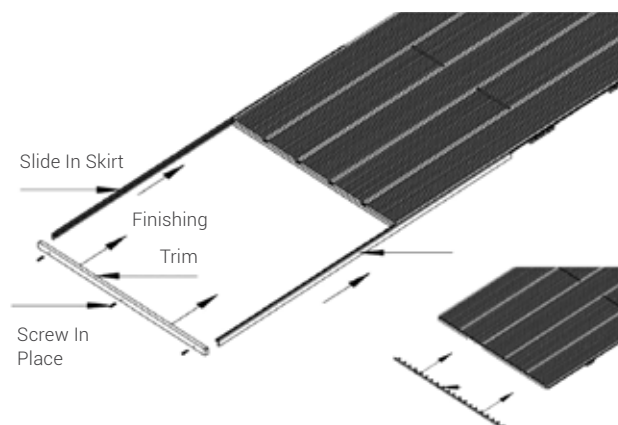
4. Secure your first board in position by snapping it into the Starter Clips.
5. Attach Concealed Fixing Clips onto the initial board, aligning them with the joists, and firmly secure them with screws.
6. Continue by installing the subsequent boards in a similar fashion, repeating the process until your deck reaches the desired length.



7. Secure Finish Clips along the outer edge of the joists and fasten them securely.
8. Press the final board into its designated position.



9. If applicable, insert Slide-In Skirting along the exposed edges of the board's length.
10. Utilize Finishing Trim, if needed, along the shorter ends of the boards, and firmly attach it using screws or adhesive.



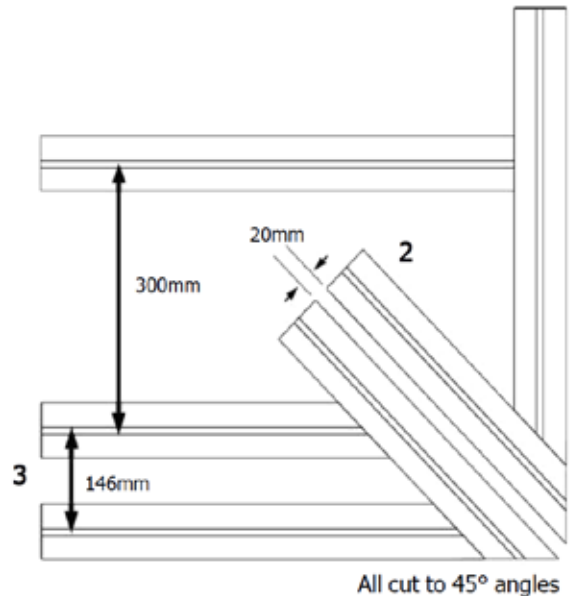
Or push Endcaps in the exposed end of Honeycomb Boards to plug the holes if using.

Framed Deck Installation Guide

Laying the joists

1. Lay your joists at the usual 300mm centers along the opposite way to the main deck board body.
2. At the corner, lay 2 shortened joists with a 20mm gap cut to a 45° angle. (See 2 on diagram)
3. Lay another joist 146mm center to center from the lower most joist. This will support the ends of the main body of the deck. (See 3 on diagram)
4. Repeat on the remainder of the corners applicable.

(Suitable for either Honeycomb or Solid decks)



Laying the deck boards

1. Cut your framing boards to 45°.
2. Secure Starter/Finisher Clips at 300mm intervals along the lengths of the outside edge of the sub-frame.
3. Clip in your cut boards into the Starter Clips to make the frame.
4. Secure Starter/Finisher Clips to the two sides where the main body will have short sides against the frame.
5. Lay the main body of the deck as you would do usually.

(Suitable for either Honeycomb or Solid decks)

